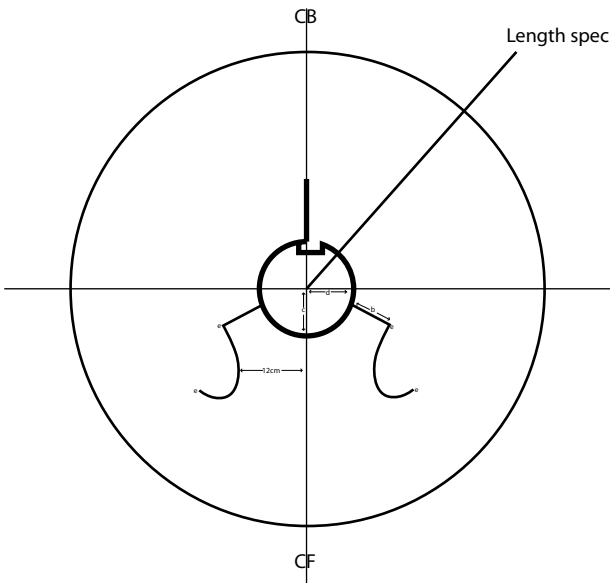


This dress style can be taken from a round or square table cloth.
 Measurements needed include:
 Circumference of neck = a
 Length of shoulder = b

Figure 2.1 Base Dress Draft



The neck is drafted using the following principles

$$c = 1/6a + 1\text{cm}$$

$$d = 1/6a + .5\text{cm}$$

Draw lines b approximately 35° degrees below the horizontal axis.

Curve the armhole deeply at the base as shown.

The difference between the two armholes should measure exactly 24cms across the front.

Mark where the reinforcements are to be situated (e) and prepare for cutting.

All excess is to be included into the cut - excluding the neck hole.

The cut occurs on the bold lines on figure 2.2. Insisions are made with exact accuracy.

Figure 2.2 The Insision

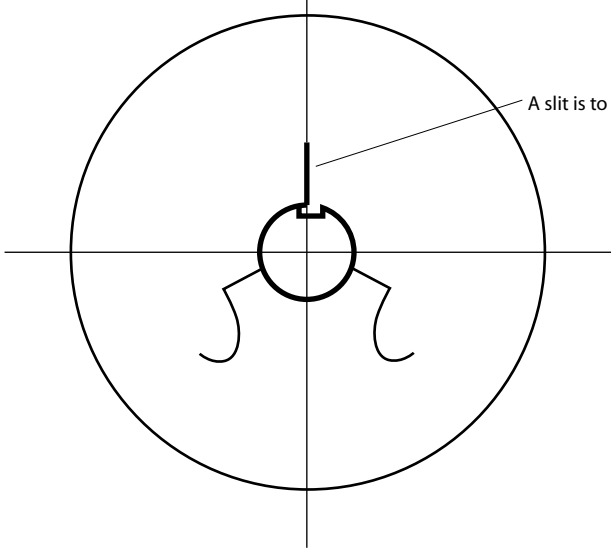


Figure 2.3 The Reinforcing.

